

*Order form for Activator table replacement covers.*

Softec  
Lesarn  
L3000  
Dynasty  
Old Style Activators (submit table picture)

- Choose your color; retrieve name and number located at the bottom of each color sample on chart [http://www.chiropractictables.ca/Colour\\_Charts.htm](http://www.chiropractictables.ca/Colour_Charts.htm)
- Complete order form.
- Complete measurement form - do to the age of some tables we advise you submit this form as we will adjust the measurements if needed from the standard size so you receive a perfect fit of your new table covers.
- Send in a picture of your table [chiropractictables@gmail.com](mailto:chiropractictables@gmail.com)

Have any questions please feel free to contact us at 1.416.487.0258 or email your questions to [chiropractictables@gmail.com](mailto:chiropractictables@gmail.com)

Kevin Hill  
111 Lawton Blvd., Suite 708  
Toronto, Ontario M4V 1Z9

Phone and Fax 1.416.487.0258

Kevin Hill  
 111 Lawton Blvd., Suite 708  
 Toronto, Ontario  
 M4V 1Z9

Phone and Fax: 1.416.487.0258      Email: [ChiropracticTables@gmail.com](mailto:ChiropracticTables@gmail.com)

**ORDER FORM**

Date:	Signature:	Zip/Postal Code:
Name:		Phone:
Address:		Fax:
City:	State/Prov:	Email:

Name of Activator table manufacturer \_\_\_\_\_

QTY:	COVER	COLOR NUMBER	COVER PRICE	TOTAL COST
	COMPLETE SET OF COVERS		\$259.75	

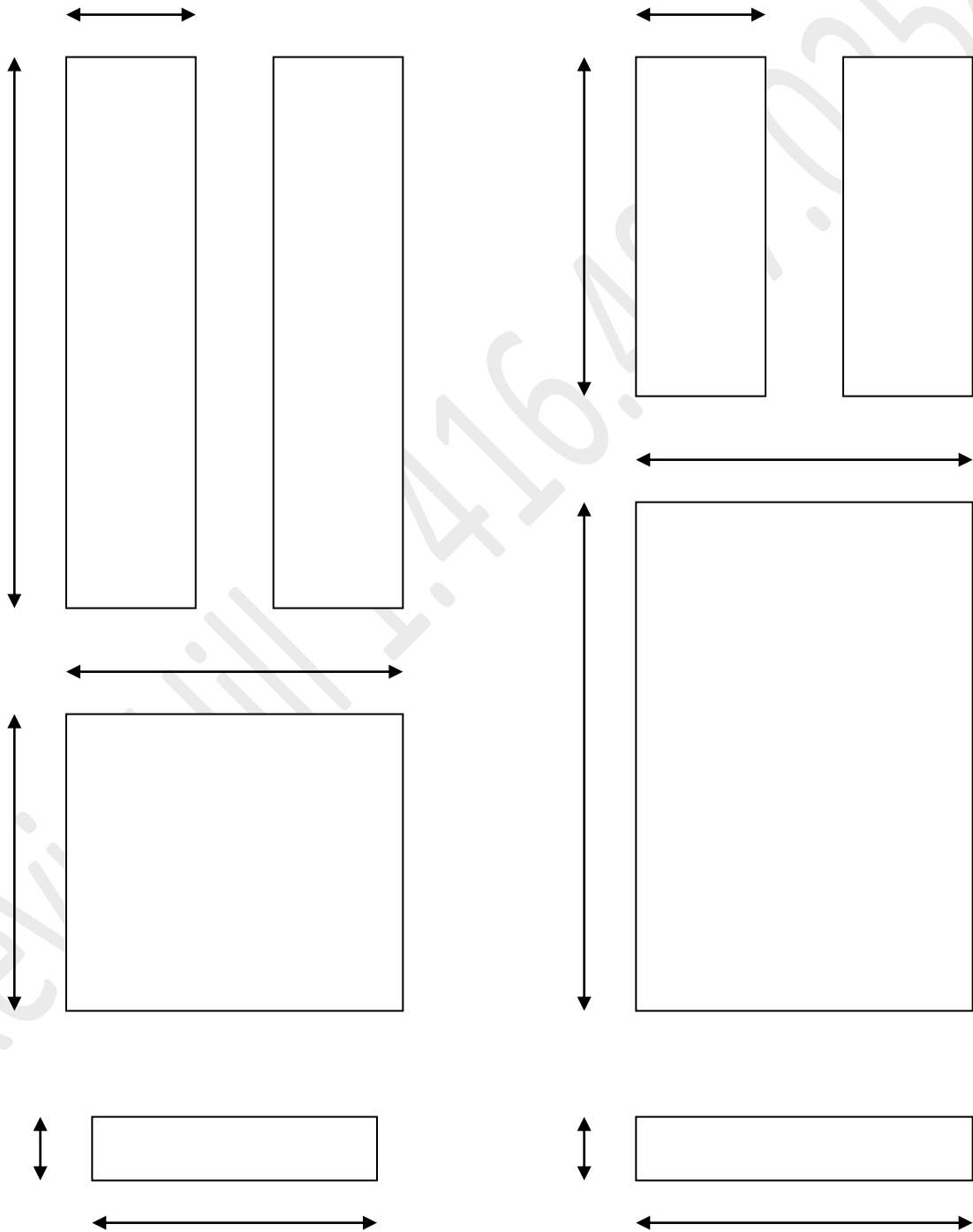
	Total	
	Shipping	\$28.75
	Sub Total	
	Total Due	
Shipping and Handling for a complete set of covers \$28.75		

**Payment can be made by cheque payable to Kevin Hill and mailed to 111 Lawton Blvd., Suite 708, Toronto Ontario M4V 1Z9 or contact us by phone 1.416.487.0258 / Email: [chiropractictables@gmail.com](mailto:chiropractictables@gmail.com) to pay online by credit card.**

**Once payment has been received your order takes 5-7 business days to process. There are no C.O.D. orders, No Returns or Refunds as orders are made to the specifications, color choice and table model submitted by customer.**

Activator Table Measurements

Kevin Hill 1.416.487.0258



Activator Measurement Form

Kevin Hill 1.416.487.0258

